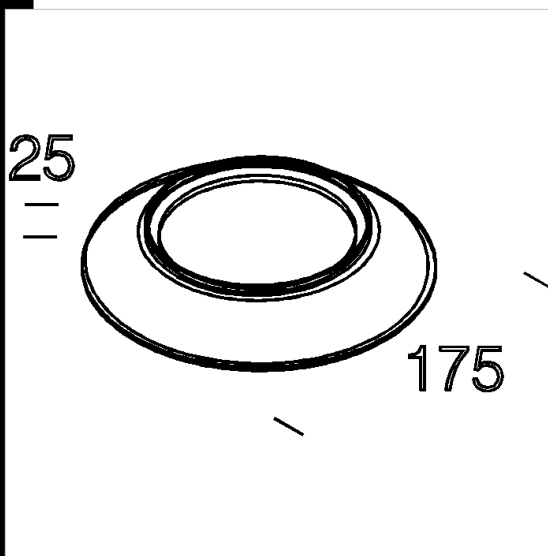


78 Schermo

In plexiglas colorato.

Download

DXF 2D  
- d78.dxf



Code	Kg	WTot	Colour
985023-00	0,00	0 W	GIALLO
985024-00	0,00	0 W	BIANCO
985021-00	0,00	0 W	ROSSO
985022-00	0,00	0 W	VERDE

Prodotti



- 1530 Faro 2 - Diffusore rigato -



- 1532 Faro 2 - Diffusore rigato -



- 1534 Faro 2 - Diffusore rigato -

The reported luminous flux is the flux emitted by the light source with a tolerance of  $\pm 10\%$  compared to the indicated value. The W tot column indicates the total wattage absorbed by the system without exceeding 10% of the indicated